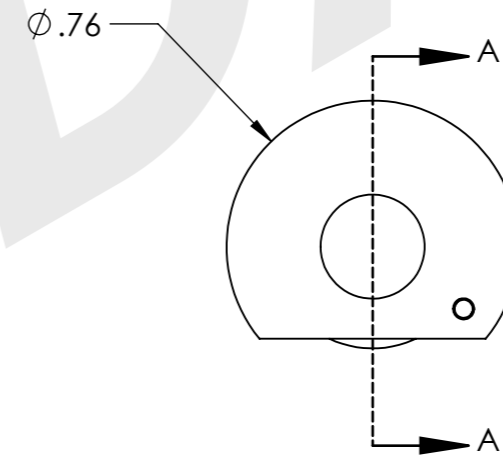
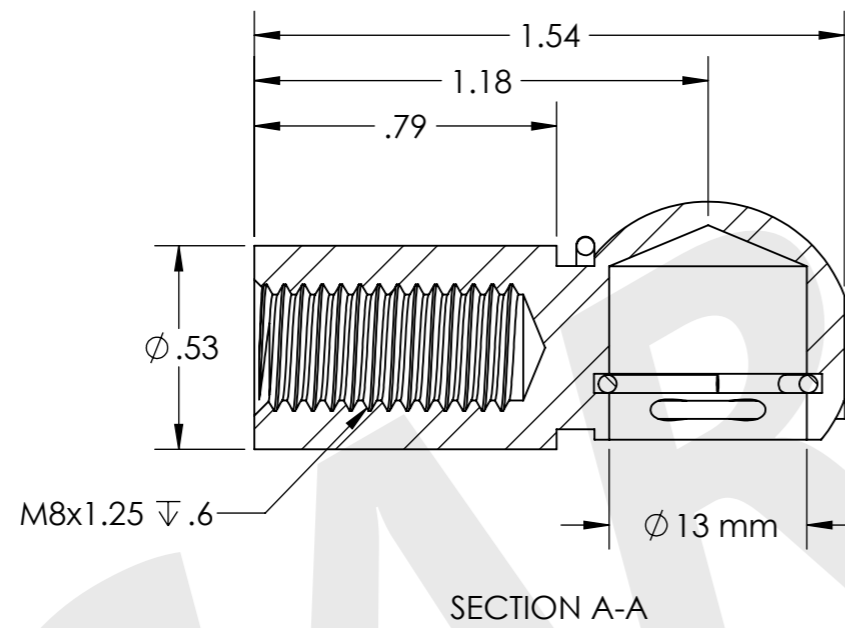
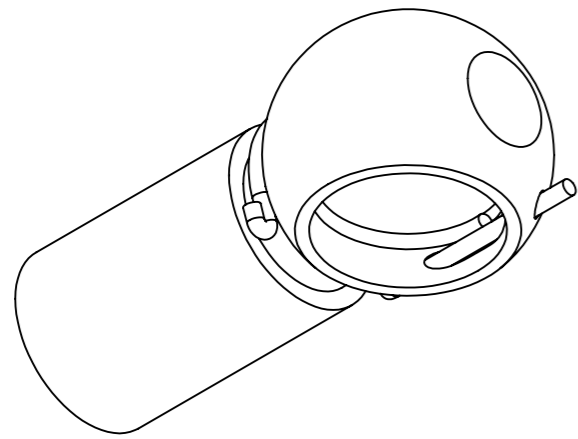


1 2 3 4 5 6 7 8

A  
B  
C  
D  
E  
F



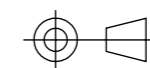
CARRDAN

MATERIALS		COATINGS	
E	302-304 SS	Z	ZINC TRIVALENT
T	316 SS	A	120SST ZINC + ORGANIC
S	STEEL	X	PASSIVATED/ BRIGHT ELECTROPOLISHED
		P	PLAIN (LIGHT OIL)
EF10H-(MATERIAL CODE)(COATING CODE), EXAMPLE: EF10H-SP			

CARRDAN CORPORATION  
 7325 DOUGLAS ROAD  
 LAMBERTVILLE, MI 48144  
 PHONE: (734) 568-6700  
 FAX: (734) 568-6705



THIRD ANGLE PROJECTION



THIS DRAWING MAY NOT BE DISCLOSED  
 WITHOUT WRITTEN PERMISSION AND IS  
 NOT TO BE USED IN ANY WAY  
 DETRIMENTAL TO CARRDAN CORP.

TITLE:  
 13 mm END FITTING w/SAFETY CLIP

PART NO. EF13M-## SIZE: A3

DO NOT SCALE DRAWING SHEET 1 OF 1 SCALE:2:1

1 2 3 4 5 6 7 8