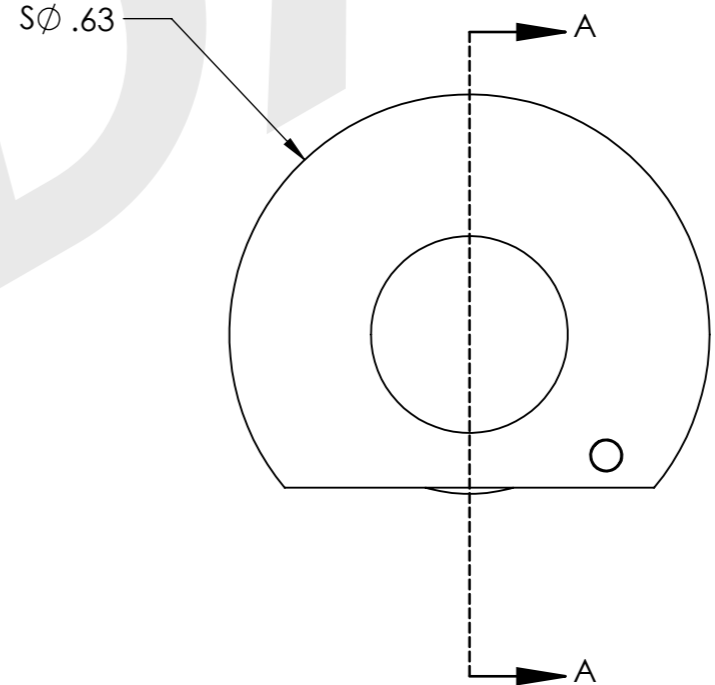
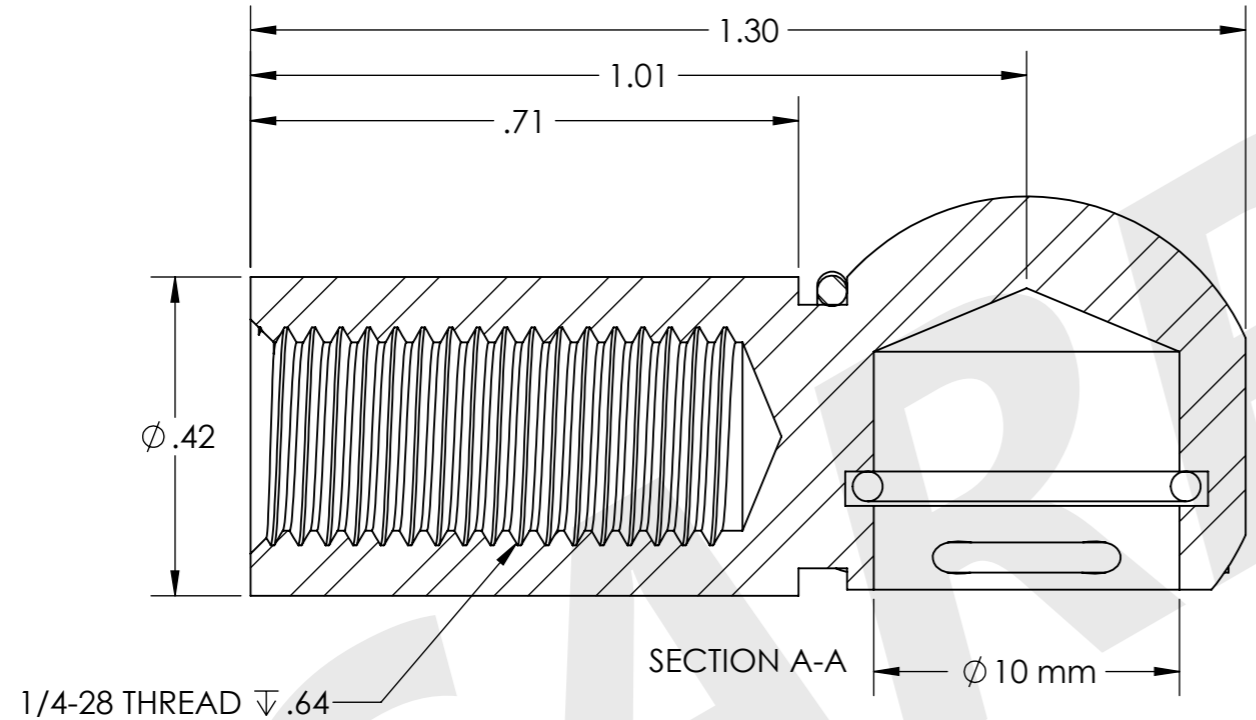
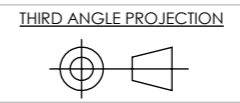


VIEW -
SCALE 2 : 1



| MATERIALS | | COATINGS | |
|--|------------|----------|------------------------------------|
| E | 302-304 SS | Z | ZINC TRIVALENT |
| T | 316 SS | A | 120SST ZINC + ORGANIC |
| S | STEEL | X | PASSIVATED/ BRIGHT ELECTROPOLISHED |
| | | P | PLAIN (LIGHT OIL) |
| EF10H-(MATERIAL CODE)(COATING CODE), EXAMPLE: EF10H-SP | | | |

CARRDAN CORPORATION
7325 DOUGLAS ROAD
LAMBERTVILLE, MI 48144
PHONE: (734) 568-6700
FAX: (734) 568-6705



THIS DRAWING MAY NOT BE DISCLOSED WITHOUT WRITTEN PERMISSION AND IS NOT TO BE USED IN ANY WAY DETRIMENTAL TO CARRDAN CORP.

TITLE:
**10 mm BALL STUD END FITTING
w/SAFETY CLIP, 1/4-28 X .64**

PART NO.
EF10N-##

SIZE:
A3

DO NOT SCALE DRAWING SHEET 1 OF 1 SCALE:4:1