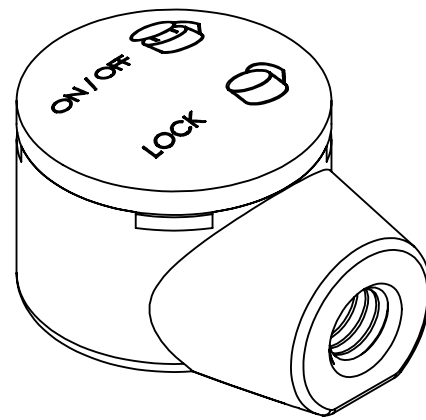


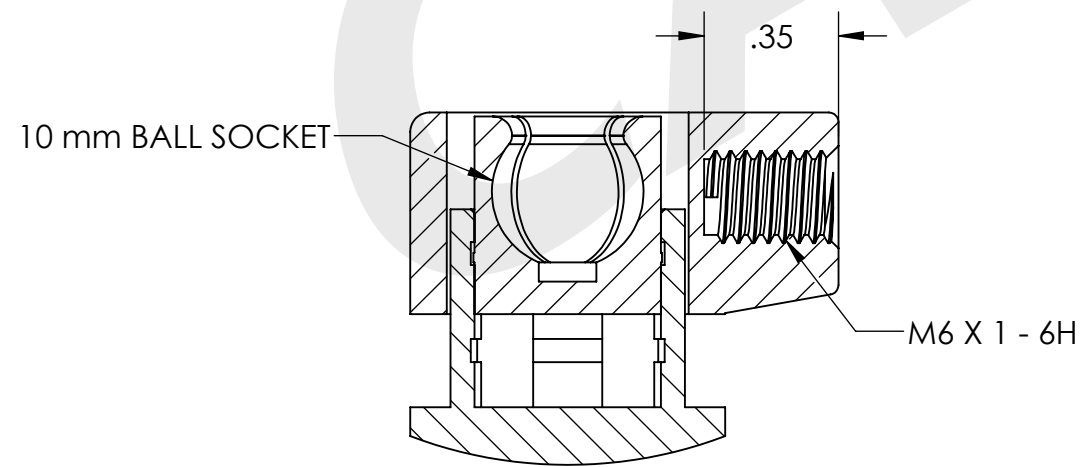
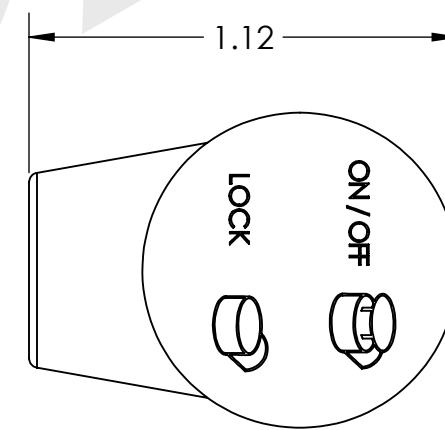
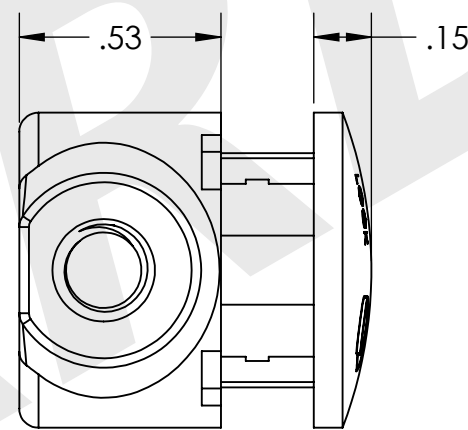
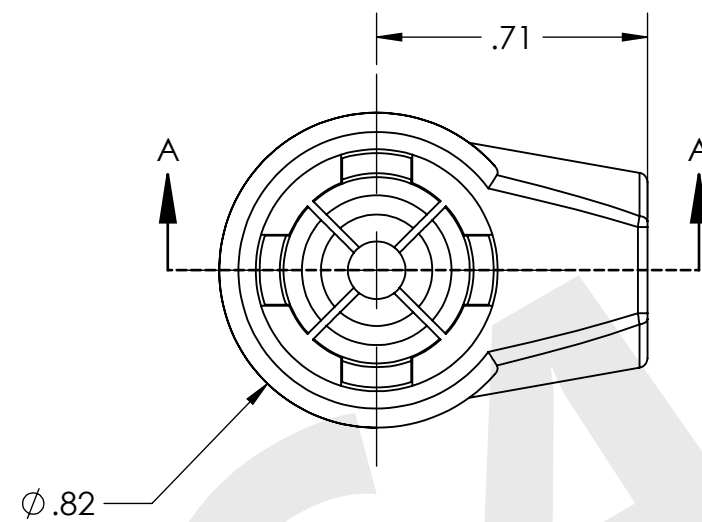
ON / OFF POSITION



LOCK POSITION

NOTES:

1. REFERENCE PART NUMBERS:
 1. BASE: 9900036
 2. CLIP: 9900037
2. MATERIAL: PA66 30% GF NYLON BLACK
3. UNITS: INCHES

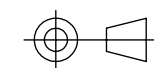


SECTION A-A

CARRDAN CORPORATION
 7325 DOUGLAS ROAD
 LAMBERTVILLE, MI 48144
 PHONE: (734) 568-6700
 FAX: (734) 568-6705



THIRD ANGLE PROJECTION



TITLE:
 10 mm BALL STUD END FITTING,
 BLACK NYLON

THIS DRAWING MAY NOT BE DISCLOSED
 WITHOUT WRITTEN PERMISSION AND IS
 NOT TO BE USED IN ANY WAY
 DETRIMENTAL TO CARRDAN CORP.

PART NO.
EF10K-CB

SIZE:
A3

DO NOT SCALE DRAWING

SHEET 1 OF 1

SCALE:4:1