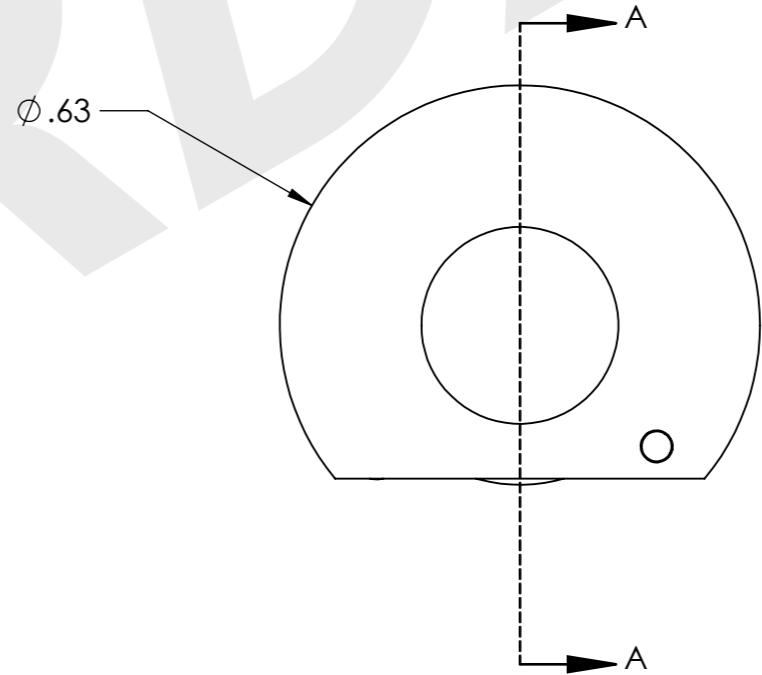
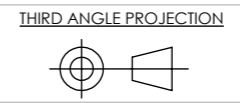


SECTION A-A



MATERIALS		COATINGS	
E	302-304 SS	Z	ZINC TRIVALENT
T	316 SS	A	120SST ZINC + ORGANIC
S	STEEL	X	PASSIVATED/ BRIGHT ELECTROPOLISHED
		P	PLAIN (LIGHT OIL)
EF10H-(MATERIAL CODE)(COATING CODE), EXAMPLE: EF10H-SP			

CARRDAN CORPORATION
 7325 DOUGLAS ROAD
 LAMBERTVILLE, MI 48144
 PHONE: (734) 568-6700
 FAX: (734) 568-6705



THIS DRAWING MAY NOT BE DISCLOSED WITHOUT WRITTEN PERMISSION AND IS NOT TO BE USED IN ANY WAY DETRIMENTAL TO CARRDAN CORP.

TITLE: 10 mm END FITTING w/ SAFETY CLIP	PART NO. EF10H-##	SIZE: A3
DO NOT SCALE DRAWING	SHEET 1 OF 1	SCALE:4:1