

1 2 3 4 5 6 7 8

A

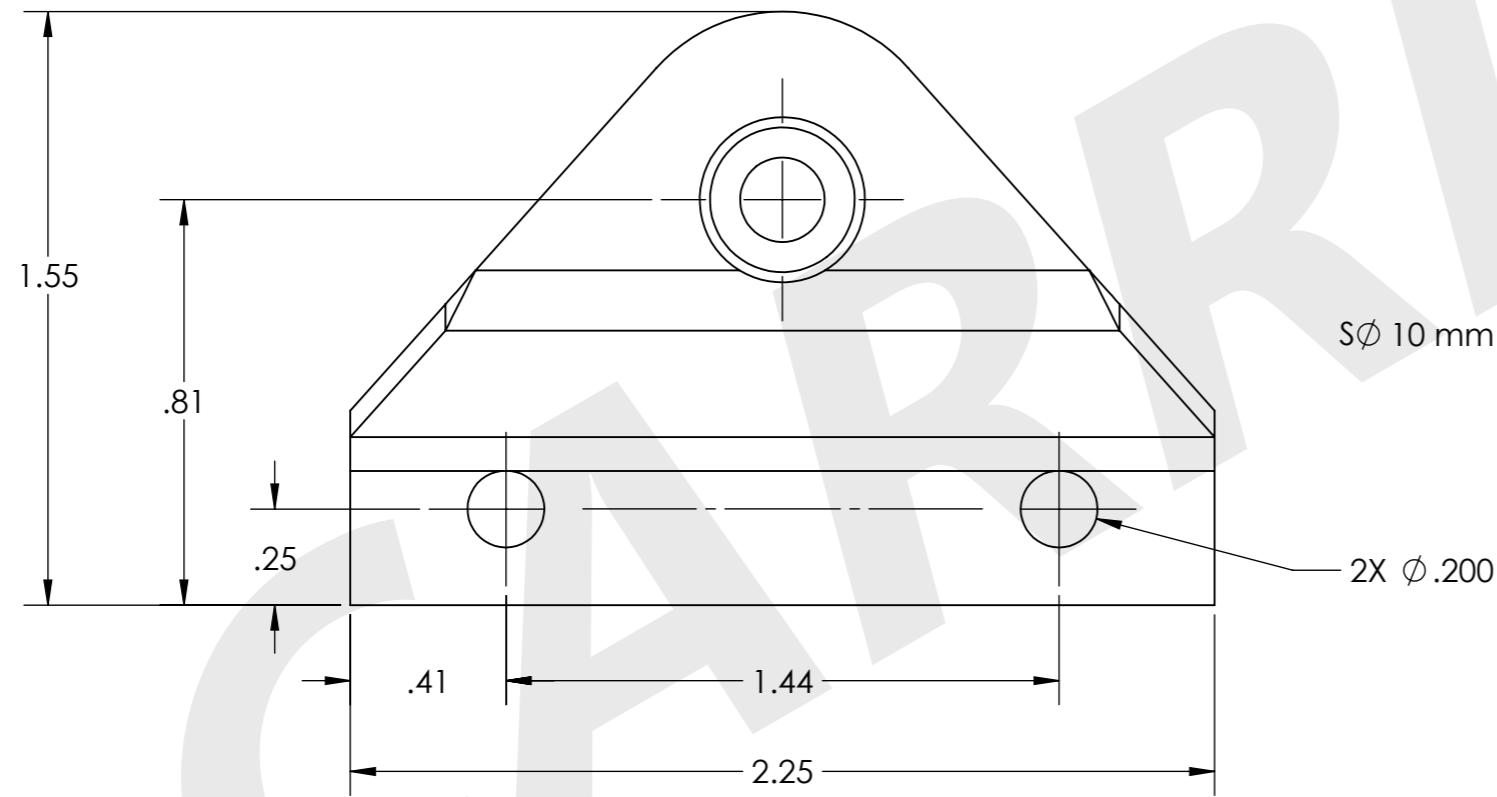
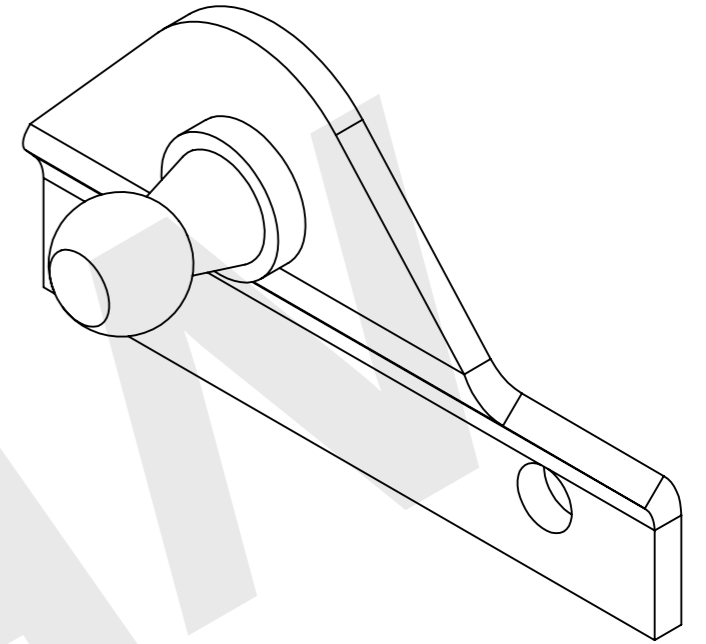
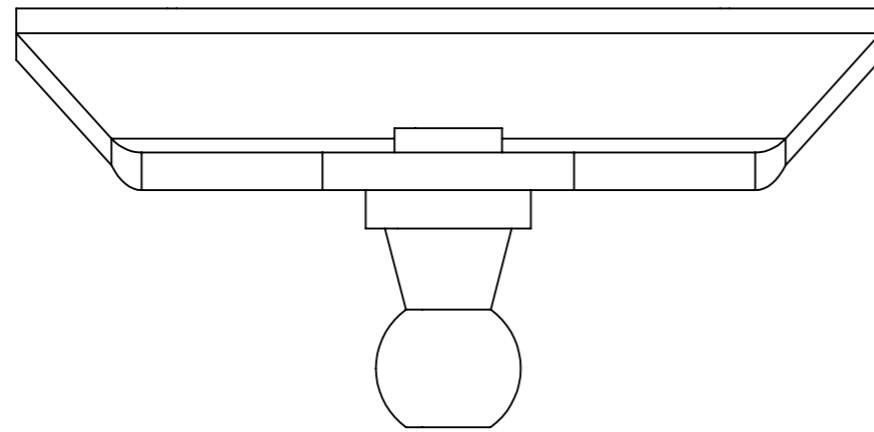
B

C

D

E

F



Ø 10 mm

2X Ø .200

135°

.098

.38

MATERIALS		COATINGS	
E	302-304 SS	Z	ZINC TRIVALENT
T	316 SS	A	120SST ZINC + ORGANIC
S	C1008-1022	X	PASSIVATED/ BRIGHT ELECTROPOLISHED
		B	GLOSS BLACK POWDER COAT
		E	BLACK E-COAT 60-80% GLOSS
		P	PLAIN (LIGHT OIL)
BR-(4 DIGIT CODE)-(MATERIAL CODE)(COATING CODE), EXAMPLE: BR-1000-SP			

CARRDAN CORPORATION  
 7325 DOUGLAS ROAD  
 LAMBERTVILLE, MI 48144  
 PHONE: (734) 568-6700  
 FAX: (734) 568-6705



THIRD ANGLE PROJECTION



THIS DRAWING MAY NOT BE DISCLOSED WITHOUT WRITTEN PERMISSION AND IS NOT TO BE USED IN ANY WAY DETRIMENTAL TO CARRDAN CORP.

TITLE:  
 10 mm BALL STUD BRACKET

PART NO. **BR-1025-##** SIZE: **A3**  
 DO NOT SCALE DRAWING SHEET 1 OF 1 SCALE:2:1