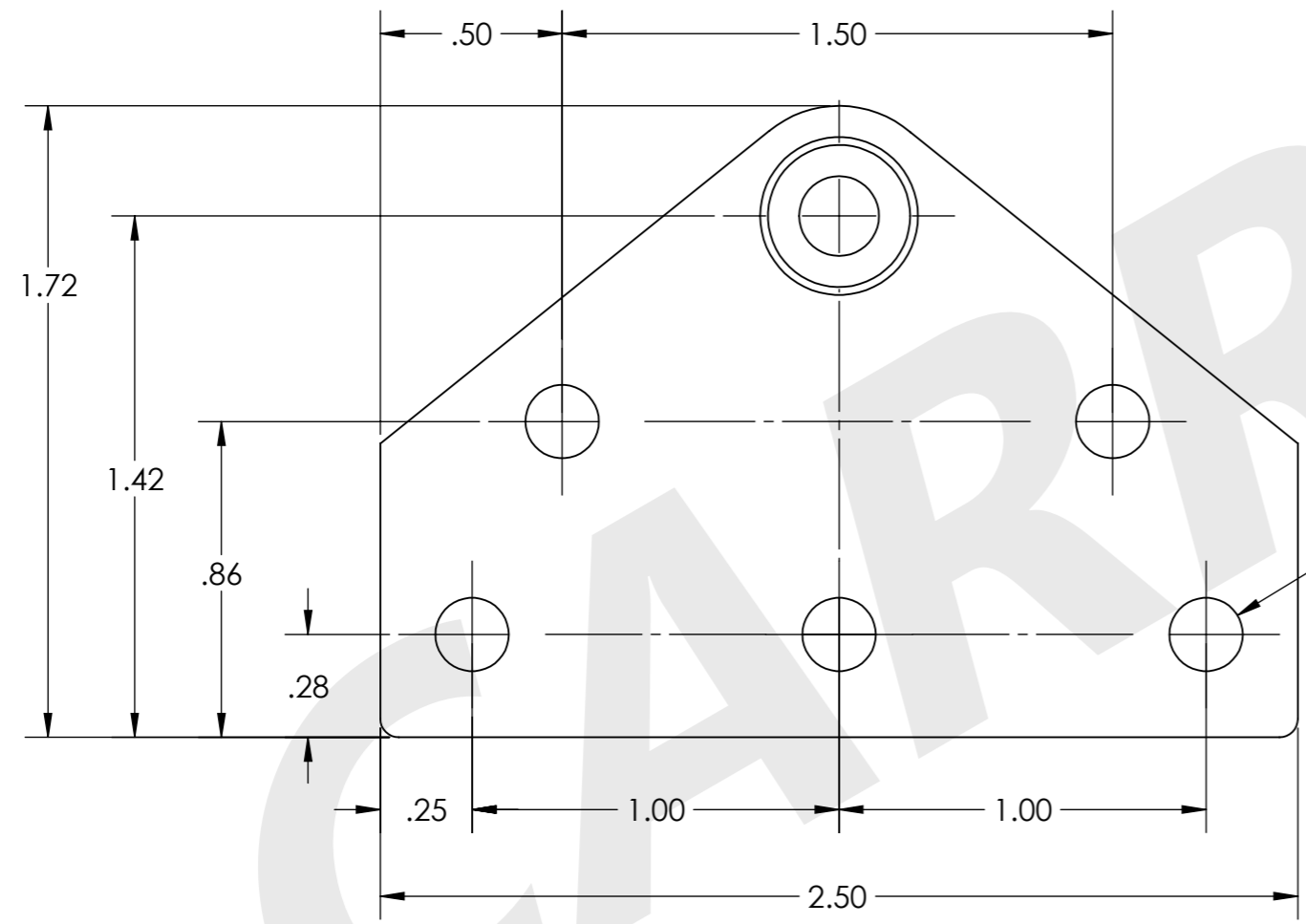


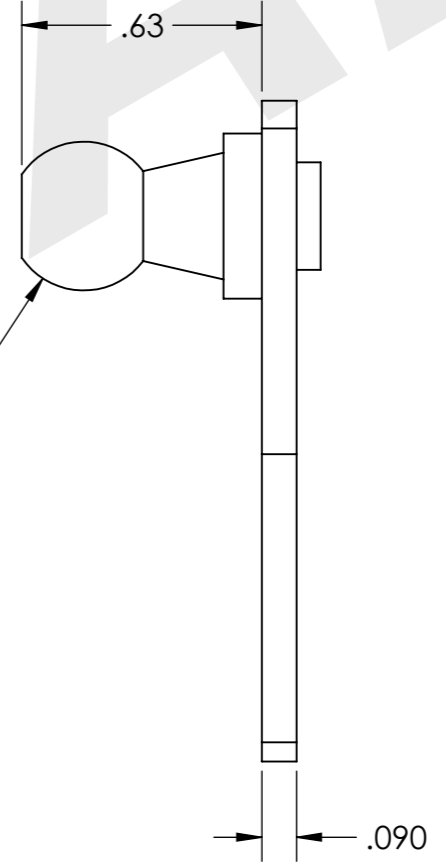
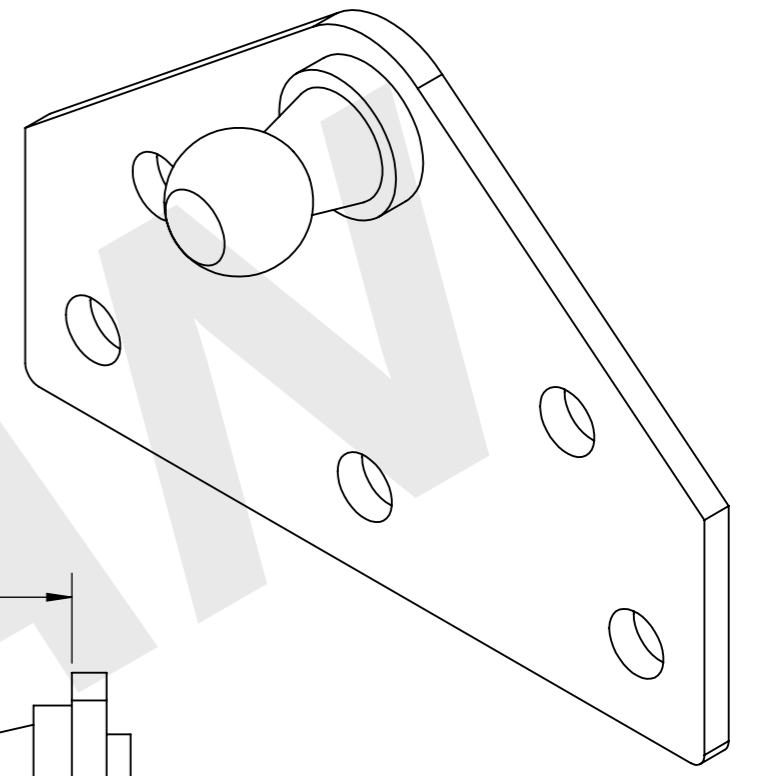
1 2 3 4 5 6 7 8

A  
B  
C  
D  
E



∅ 10 mm

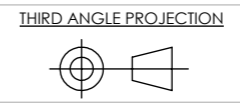
5X ∅ .200



MATERIALS		COATINGS	
E	302-304 SS	Z	ZINC TRIVALENT
T	316 SS	A	120SST ZINC + ORGANIC
S	C1008-1022	X	PASSIVATED/ BRIGHT ELECTROPOLISHED
		B	GLOSS BLACK POWDER COAT
		E	BLACK E-COAT 60-80% GLOSS
		P	PLAIN (LIGHT OIL)

BR-(4 DIGIT CODE)-(MATERIAL CODE)(COATING CODE), EXAMPLE: BR-1000-SP

CARRDAN CORPORATION  
 7325 DOUGLAS ROAD  
 LAMBERTVILLE, MI 48144  
 PHONE: (734) 568-6700  
 FAX: (734) 568-6705



THIS DRAWING MAY NOT BE DISCLOSED WITHOUT WRITTEN PERMISSION AND IS NOT TO BE USED IN ANY WAY DETRIMENTAL TO CARRDAN CORP.

TITLE: 10 mm BALL STUD FLAT BRACKET	
PART NO. <b>BR-1021-##</b>	SIZE: <b>A3</b>
DO NOT SCALE DRAWING	SHEET 1 OF 1
SCALE: 2:1	

1 2 3 4 5