

1 2 3 4 5 6 7 8

A

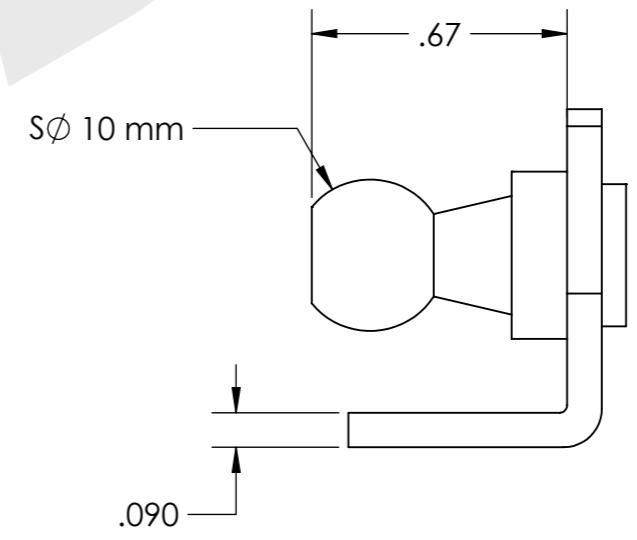
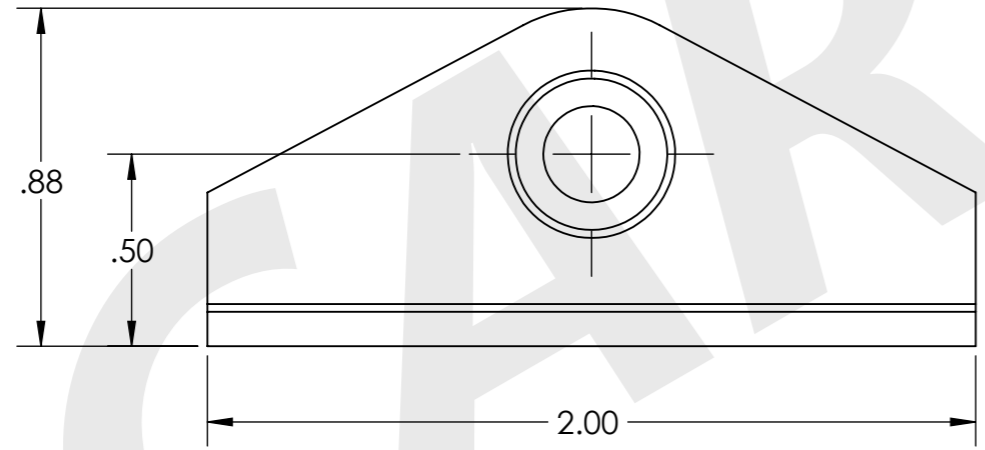
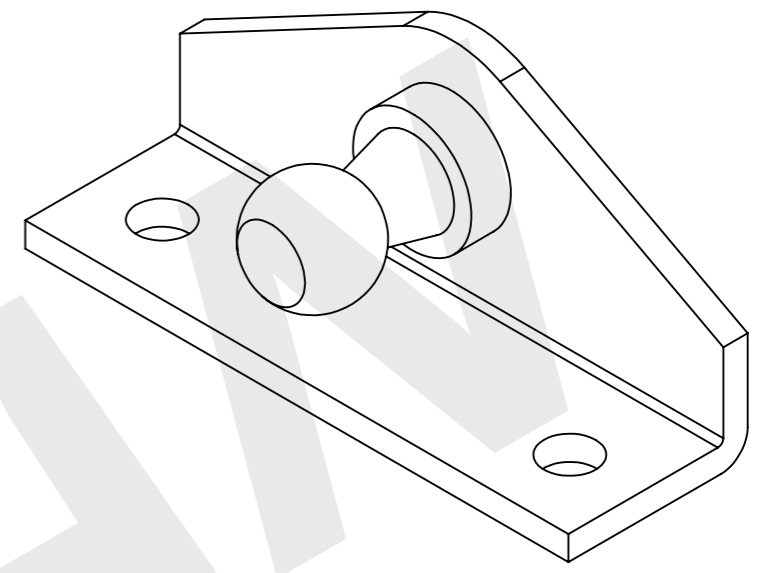
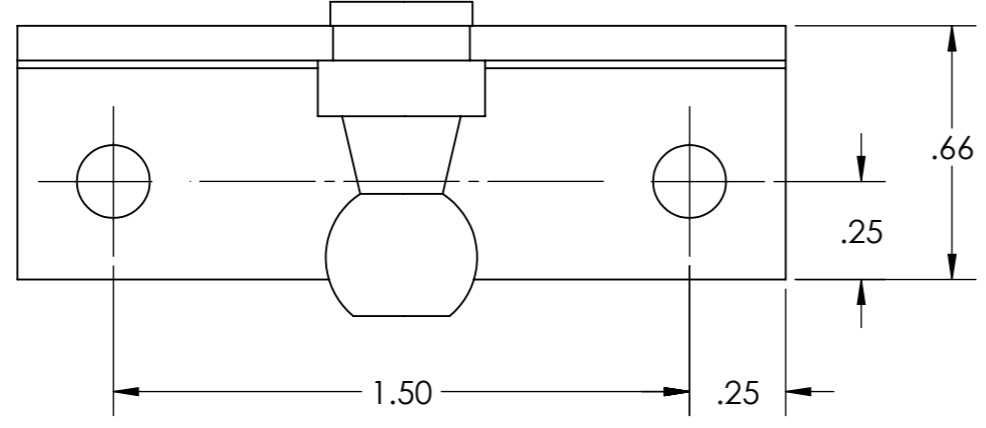
B

C

D

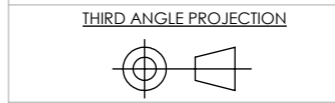
E

F



| MATERIALS | | COATINGS | |
|--|------------|----------|------------------------------------|
| E | 302-304 SS | Z | ZINC TRIVALENT |
| T | 316 SS | A | 120SST ZINC + ORGANIC |
| S | C1008-1022 | X | PASSIVATED/ BRIGHT ELECTROPOLISHED |
| | | B | GLOSS BLACK POWDER COAT |
| | | E | BLACK E-COAT 60-80% GLOSS |
| | | P | PLAIN (LIGHT OIL) |
| BR-(4 DIGIT CODE)-(MATERIAL CODE)(COATING CODE), EXAMPLE: BR-1000-SP | | | |

CARRDAN CORPORATION
 7325 DOUGLAS ROAD
 LAMBERTVILLE, MI 48144
 PHONE: (734) 568-6700
 FAX: (734) 568-6705



THIS DRAWING MAY NOT BE DISCLOSED WITHOUT WRITTEN PERMISSION AND IS NOT TO BE USED IN ANY WAY DETRIMENTAL TO CARRDAN CORP.

TITLE:
10 mm BALL STUD "L" BRACKET

PART NO.
BR-1017-##

SIZE:
A3

DO NOT SCALE DRAWING SHEET 1 OF 1 SCALE:2:1

1 2 3 4 5 6 7 8