

1 2 3 4 5 6 7 8

A

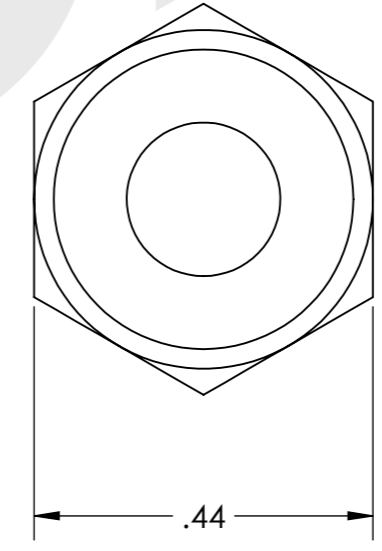
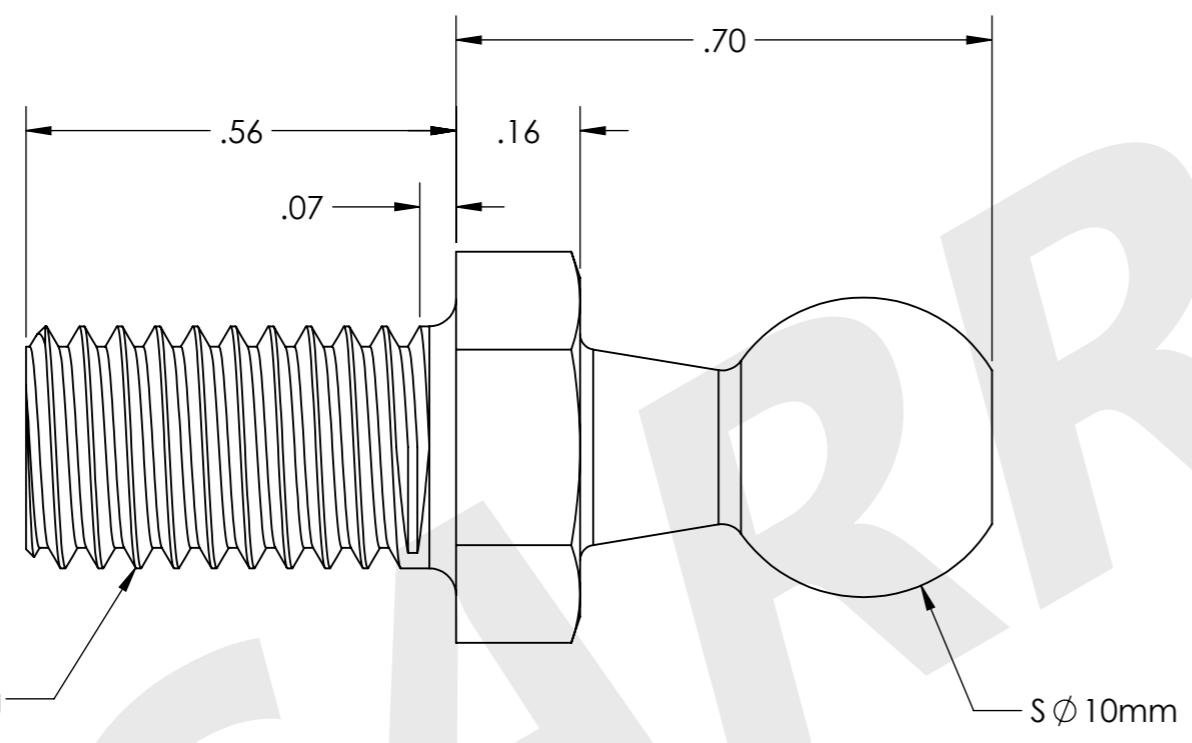
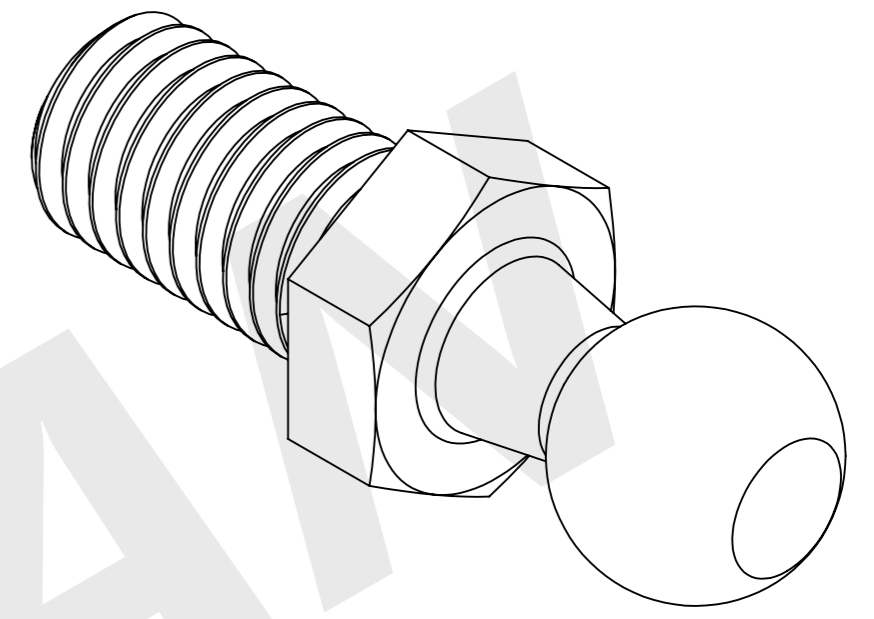
B

C

D

E

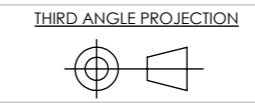
F



MATERIALS		COATINGS	
E	302-304 SS	Z	ZINC TRIVALENT
T	316 SS	A	120SST ZINC + ORGANIC
S	STEEL	X	PASSIVATED/ BRIGHT ELECTROPOLISHED
H	35 ACR (PC 9.8)	Y	ZINC YELLOW
N	200-SERIES SS	K	120SST ZINC BLACK
		P	PLAIN (LIGHT OIL)

BS-(4 DIGIT CODE)-(MATERIAL CODE)(COATING CODE), EXAMPLE: BS-1000-SP

CARRDAN CORPORATION
 7325 DOUGLAS ROAD
 LAMBERTVILLE, MI 48144
 PHONE: (734) 568-6700
 FAX: (734) 568-6705



TITLE:
 10mm BALL STUD

THIS DRAWING MAY NOT BE DISCLOSED
 WITHOUT WRITTEN PERMISSION AND IS
 NOT TO BE USED IN ANY WAY
 DETRIMENTAL TO CARRDAN CORP.

PART NO. **BS-2005-##** SIZE: **A3**
 DO NOT SCALE DRAWING SHEET 1 OF 1 SCALE:4:1

1 2 3 4 5