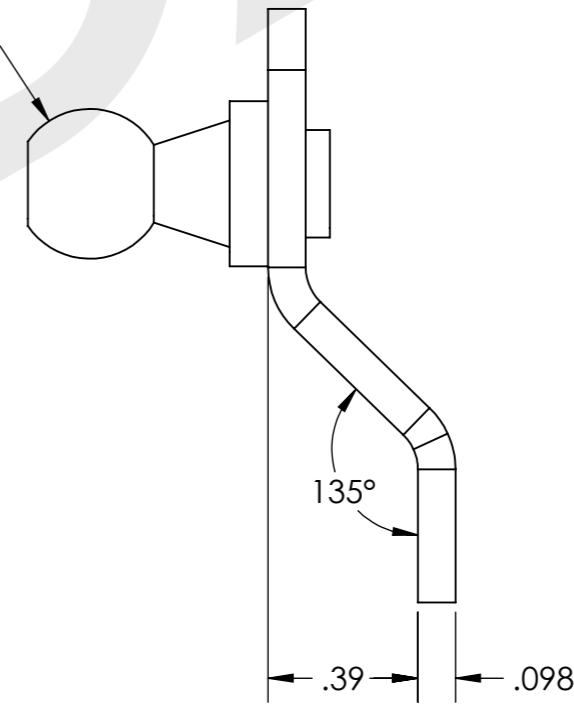


∅ 10 mm

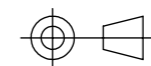


MATERIALS		COATINGS	
E	302-304 SS	Z	ZINC TRIVALENT
T	316 SS	A	120SST ZINC + ORGANIC
S	C1008-1022	X	PASSIVATED/ BRIGHT ELECTROPOLISHED
		B	BLACK POWDER COAT
		E	BLACK E-COAT
		P	PLAIN (LIGHT OIL)
BR-(4 DIGIT CODE)-(MATERIAL CODE)(COATING CODE), EXAMPLE: BR-1000-SP			

CARRDAN CORPORATION
 7325 DOUGLAS ROAD
 LAMBERTVILLE, MI 48144
 PHONE: (734) 568-6700
 FAX: (734) 568-6705



THIRD ANGLE PROJECTION



THIS DRAWING MAY NOT BE DISCLOSED
 WITHOUT WRITTEN PERMISSION AND IS
 NOT TO BE USED IN ANY WAY
 DETRIMENTAL TO CARRDAN CORP.

TITLE:
 10 mm BALL STUD BRACKET

PART NO.
 BR-1027-##

SIZE:
 A3

DO NOT SCALE DRAWING

SHEET 1 OF 1

SCALE:2:1